



S310

**Installation overview
and components**

**Worldwide only 300m target
with ISSF approval phase 1, 2 and 3**

**Basic configuration of the target
for big bore rifles
(ISSF 300m)**

SIUS AG

Im Langhag 1 | CH-8307 Effretikon | Switzerland
Phone +41 52 354 60 60 | Fax +41 52 354 60 66
www.sius.com | admin@sius.com



**Standard configuration**

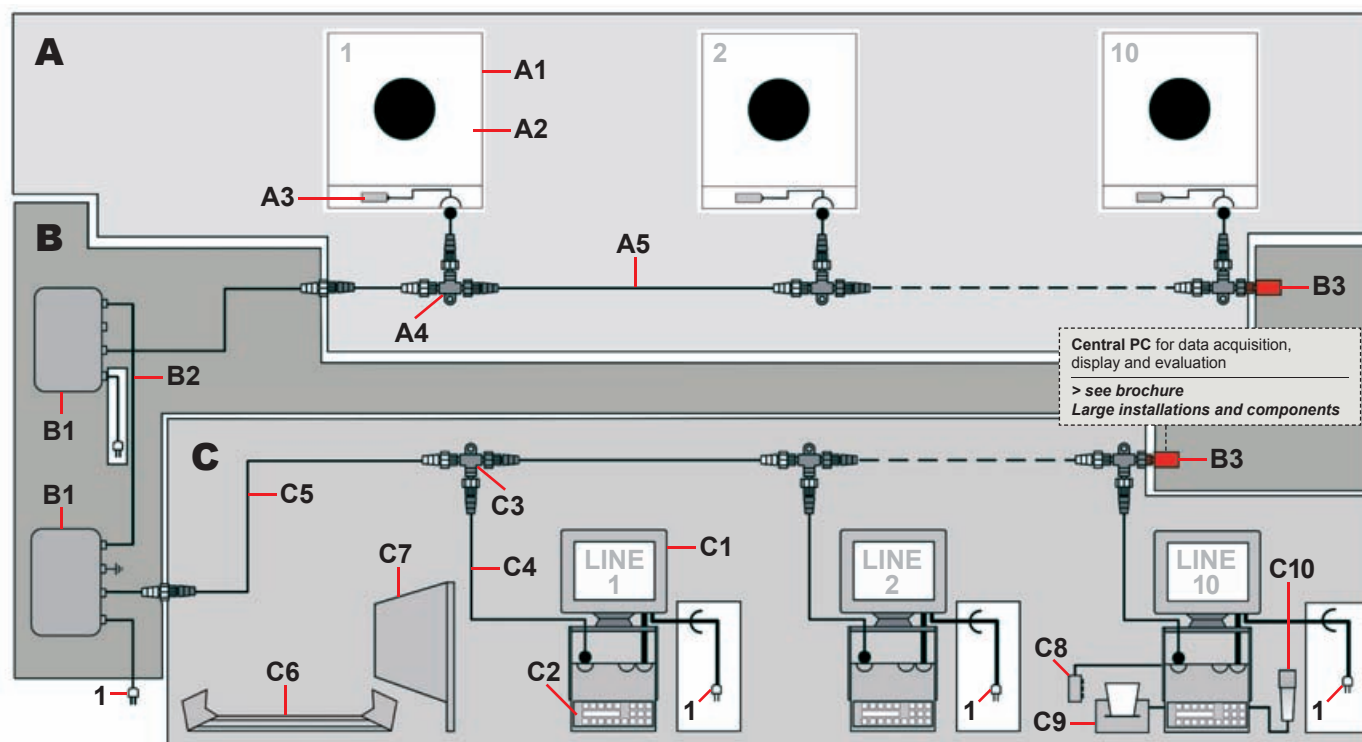
Target S310 with basic equipment SA941.



Big bore rifle installation 300m

Installation overview S310

The installation is divided into 3 article groups: article group target line (A), article group for cables and power supply (B) and article group firing line (C). The article group for cables and power supply (B) is designed for 10 lines at the most. In addition, power supply cables are required (connection cable: device to country specific plug) (Pos. 1).



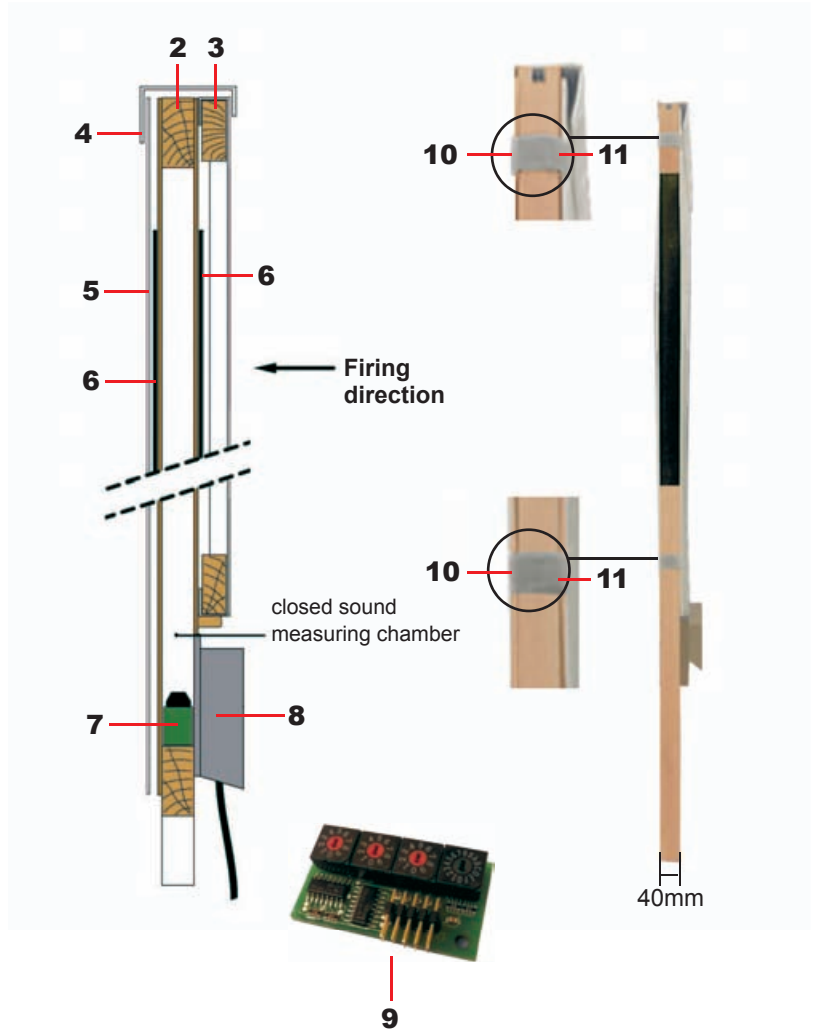
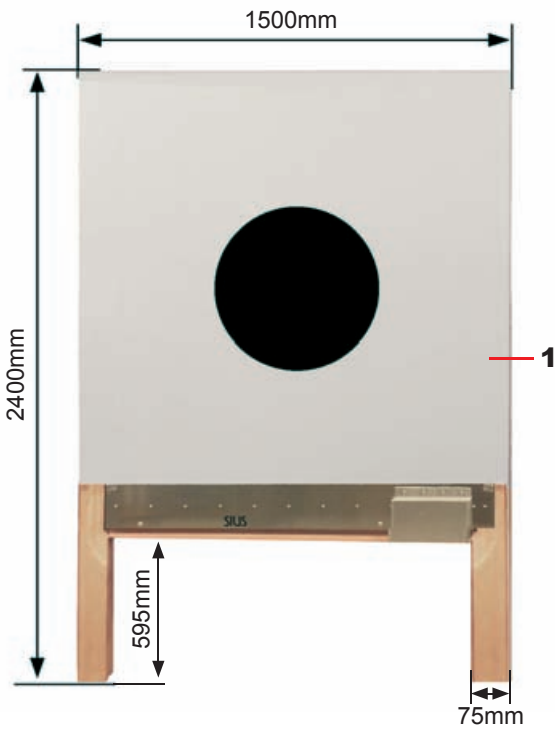
Pos.	Article no.	Pcs.	Description
A Article group target line			
A1	S310-LONM0	1	Main target S310, longitudinal leg (without LME)
A2	S150A	1	A front frame S310 with bulls eye Ø 60cm
A3	LMEB001V3	1	Print LON measurement electronics S310
A4	KL001-T	1	T-Adapter fem/fem/male LTW IP67
A5	KL001-2.0	1	Cable LTW male-female 2.0m
B Article group cables and power supply			
B1	NT209V3	2	Power supply for 10 lines 225W with LTW 230V
B2	KV021-330	1	Cable firing point – target 330m (for 300m installation)
B3	KL001-R	2	Terminating resistor, red, male LTW IP67
C Article group firing point			
C1	M941	1	Monitor TFT 10.4" (26cm)
C2	CU941-ISSF	1	Control unit, with software for ISSF competitions (ISSF- approval phase 1, 2 and 3)
C3	KL001-T	1	T-Adapter fem/fem/male LTW IP67
C4	KL003-2.0	1	Cable LTW male-RJ45 2.0m
C5	KL001-2.0	1	Cable LTW male-fem 2.0m
C6	C88RV1	1	Shot sensor for big bore rifles (option) > page 6
C7	UEM88	1	Crosstalk separator 110x90x4cm (option); all variants > page 7
C8	RC941	1	Remote control RC941 (option)
C9	D112-N	1	Thermal printer incl. power supply (option)
C10	AAG133	1	Barcode scanner (option)
1	Reference		Country-specific power supply cable > page 11

Target 300m for big bore rifle S310

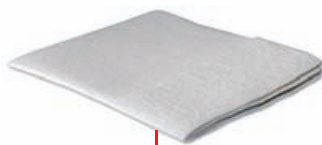
The target S310 is designed for distances of 300 to 600m for big bore rifles. The measurement system for this target is fixed at the bottom in the protected region. This ensures a high degree of operating safety and prolongs the life of the system.

CAUTION

The LON measurement electronics and the front frame must be ordered separately.



12



13



14



15

Pos.	Article no.	Description
Target S310		
1	S310-LONM0	Main target S310, longitudinal leg with LON measurement bar, without print LON measurement electronics and front frame Size (BxHxT): 1500x2400x115mm, weight: 41 kg, Consumption: 7.6 W, detection surface: 1330x1500mm.
Accessory and spare parts		
2	S310D001	Main target S310 without LON measurement bar, without print LON measurement electronics and front frame
3	Reference	Various front frames and target front masks (see page 8–9)
4	S150HA006	Rubber profile rain protection
5	S150AA033	Backing target
6	S150HA008	Endless rubber strip The endless rubber band is pulled up if required, e.g. when the centre is shot out in a way that the target covering can no longer form a closed chamber.
7	MS150-LON-V1	LON measurement bar 1,33m
8	LMEB001V3	Print LON measurement electronics for S310 (see below)
9	LNRB001	Print Lane Number Assignment
10	AMA021/10	Velcro strip – loops, 30x90mm, main frame
11	AMA023/16	Velcro strip – hooks, 30x160mm, front frame
Repair material for target covering Larger holes in the target covering arise from ricochets for example. They can cause incorrect measurements and must therefore be closed up. Repair material is available for this purpose.		
12	URE200ACT	Acetone 200 ml
13	URE-ELIX-CLEAN	Cleaning cloth
14	UK20CA15G	Special glue CA15G 20g
15	USX10QF	Ricochet repair patch (set of 10)

LON measurement electronics for S310

The LON measurement electronics evaluates the signals transmitted by the microphone and sends the information over the LON network to the control unit CU941. The measurement electronics are inserted in the lower area of the target.



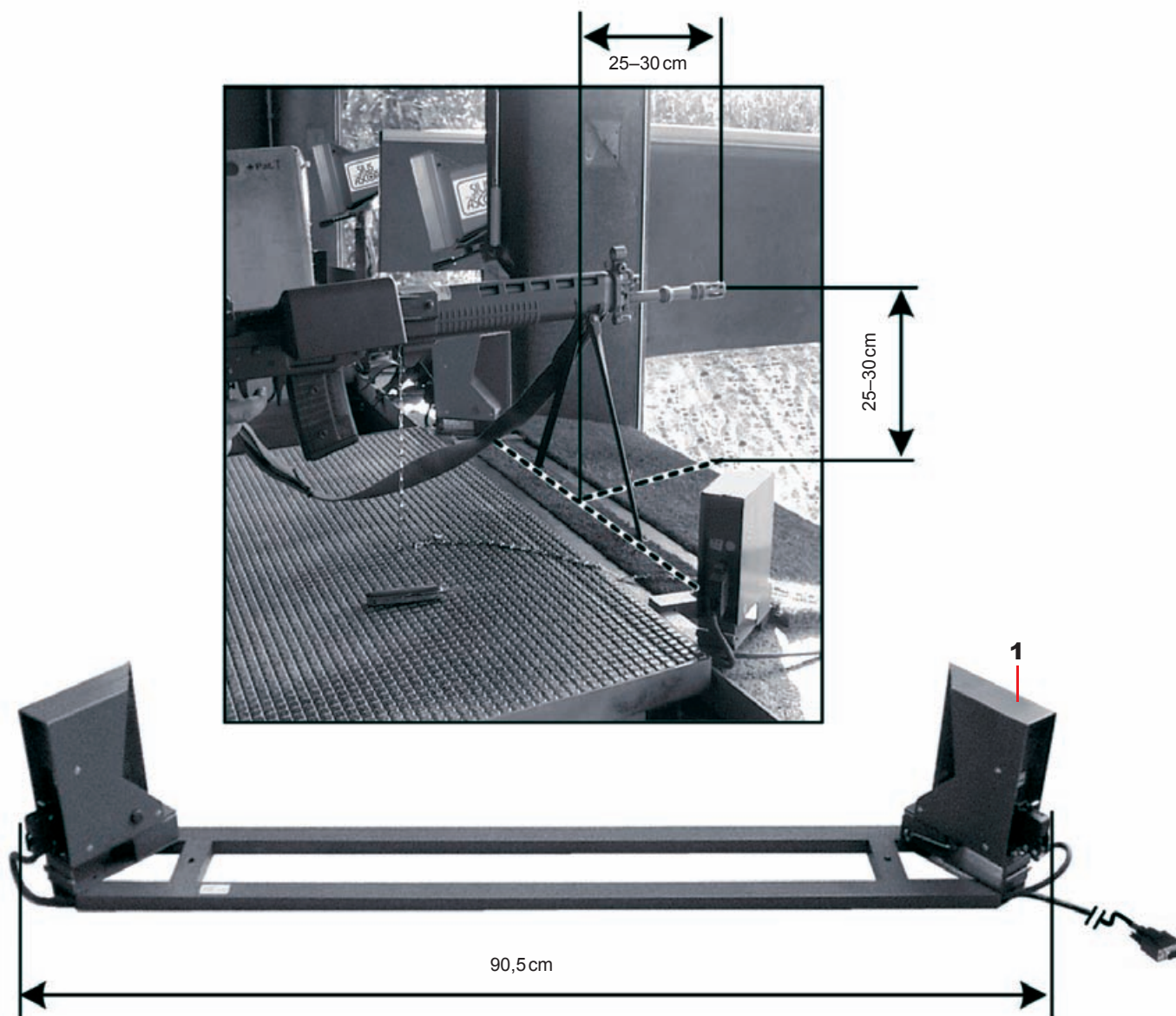
Pos.	Article no.	Description
LON measurement electronics for S310		
8	LMEB001V3	Print LON measurement electronics S310 for big bore rifles (ISSF)

Shot sensor for big bore rifles

The shot sensor differentiates the shots of the shooter's lane from shots from other lanes (cross shots, target errors). The corresponding display is shown on the monitor.

The shot sensor can only be used for big bore rifles with muzzle flash. It is plugged directly into the control unit CU941 or, for separate setting up of the monitor and control unit, into multiple connector MD921.

The **distance between weapon muzzle and sensors is especially important** to ensure the best performance of the shot sensor (see photo below). Sensors should not be exposed to direct or intense sunlight.



Pos.	Article no.	Description
		Shot sensor for big bore rifles
1	C88RV1	Shot sensor, cable on right side, D-sub plug Size (BxHxT): 905x190x150mm, weight: 3.2 kg

Crosstalk separators for the shot sensor

We recommend the installation of crosstalk separators between the individual lanes for firing points equipped with shot sensors. These prevent the acoustic and optical triggering of shots onto neighbouring lanes.

Three different sizes of crosstalk separators are available.

The big **ground plate** (Pos. 4) should be used for fixing the large separator (Pos. 1.3). For the other separators all plates can be used.



Example of use

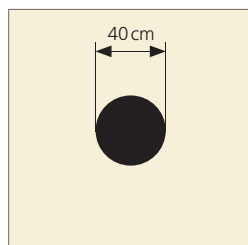


Pos.	Article no.	Description
Crosstalk separators for the shot sensor		
1.1	UES88	Crosstalk separator Size (WxHxD): 77x50x2cm, weight: 1.55 kg
1.2	UES88V1	Crosstalk separator Size (WxHxD): 85x50x2cm, weight: 1.7 kg
2	UEWH88	Wallmounting plate for crosstalk separator
3	UEBH88	Small ground plate for crosstalk separator
4	UEHH88A001	Big ground plate for crosstalk separators
5	UES88A007	Connection bracket for crosstalk panels

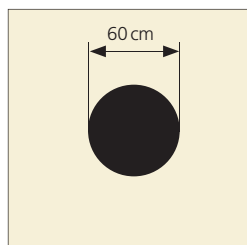
Front frame with circular target pictures (A targets)

For circular target pictures (A targets), front frames are used which are covered with a target skin (top skin). These front frames are mounted on the main target with velcro fastener.

1 Front frame
bulls eye Ø 40cm



2 Front frame
bulls eye Ø 60cm

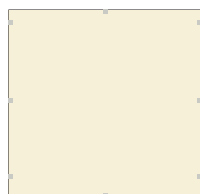


Pos.	Article no.	Description
Front frames with circular target pictures		
1	S150A/40	Front frame S150, bulls eye Ø 40cm
2	S150A	Front frame S150, bulls eye Ø 60cm

Target front masks with hunting pictures

To mount the target front masks with DJV hunting pictures, the basic multi wall panel for hunting pictures S110AA023 must be used. It will be mounted on the corresponding adaptor plate with velcro fasteners.

3 Basic multi wall panel
for hunting pictures



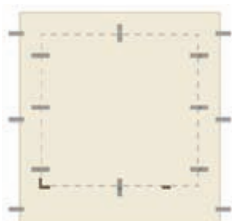
4 Calibrating target
for telescopic sight



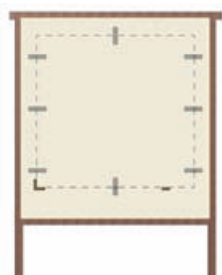
A special center patch 30x30cm is available for the calibration of telescopic sights. It is glued on the basic multi wall panel according to manual «B073 S310_Jagdbilder_Montage_de/en».

Pos.	Article no.	Description
Basic multi wall panel for hunting pictures		
3	S110AA023	Basic multi wall panel for hunting pictures, 117x113,5cm
Calibrating target for telescopic sight		
4	S150JVZA001	Calibrating target Ø 20 cm on top foil, 30x30cm

5 Adaptor plate «A»



6 Adaptor plate «B»



The hunting pictures chamois, roebuck, fox and wild boar (3 versions) must be ordered directly from:
German Hunting Federation DJV or Kuert Druck AG.
The adhesive hunting pictures can be mounted on the basic multi wall panel according to manual «B073 S310_Jagdbilder_Montage_de/en».

Chamois DJV4



Roebuck DJV1



Fox DJV3



Wild boar DJV2



Wild boar DJV5



Wild boar DJV7



Ordering hunting pictures:

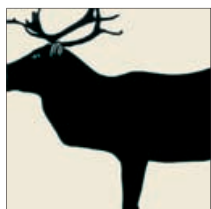
- German Hunting Federation DJV
> www.jagdverband.de
- Kuert Druck AG
> www.kuert.ch (only within Switzerland)

Pos.	Article no.	Description
Adaptor plates		
5	S150AA034	Adaptor plate S310 «A» for hunting pictures
6	S150BA003	Adaptor plate S310 «B» for hunting pictures with front frame

Scandinavian hunting pictures

The preprinted multi wall panels are mounted directly on the main target with velcro fasteners.

7 Reindeer DV-1, Norway



8 Elk, twin DV-21, Norway



9 Elk, twin, Sweden



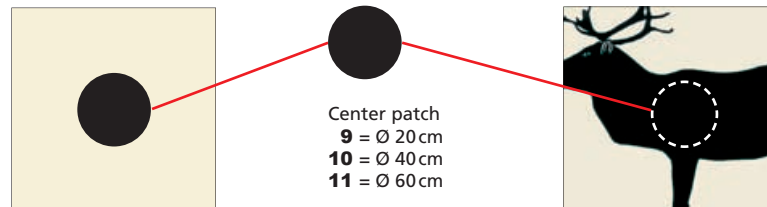
Pos.	Article no.	Description
Front masks with scandinavian hunting pictures		
7	S100AA012	Target front mask reindeer DV-1, Norway (to mount on adaptor plate S150AA034/S150BA003)
8	S150AA031	Target front mask elk, twin DV-21, Norway
9	S150AA040	Target front mask elk, twin, Sweden

Consumable and replacement supplies for target front masks

The circular center patches Ø 20 cm, 24 cm, 40 cm and 60 cm are used for repairing target centers of the A targets and the black hunting target pictures without ring division (elk DV-21, reindeer DV-1).

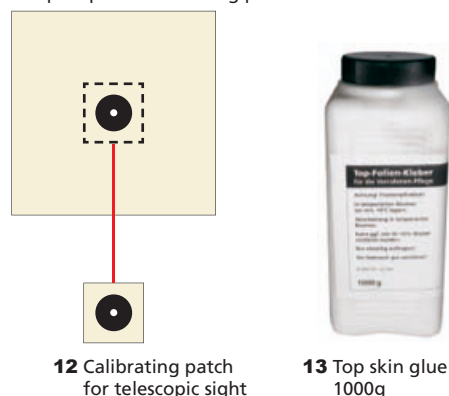
Examples of use:

Circular target pictures



Calibrating patches on top skin 30x30cm are available to repair strongly worn-out calibrating targets.

Adaptor plate for hunting pictures



Pos.	Article no.	Description
Consumable and replacement supplies for target front masks		
9	S150AA015	Center patch, PVC, Ø 20 cm
10	S150AA008	Center patch, PVC, Ø 40 cm
11	S150AA009	Center patch, PVC, Ø 60 cm
12	S150JVZA001	Calibrating patch, PVC, Ø 20 cm, on top skin 30x30cm
13	UK1PVC	Top skin glue 1 kg



Swiss federal shooting competition, Thun 1995



Swiss federal shooting competition, Aarau 2010



Swiss federal shooting competition, Aarau 2010

Country specific power supply cables

The connection between device and socket is achieved with the use of country specific power supply cables. This is provided with the device coupling on one side and with a country specific plug on the other side.



1



2



3



4



5

Pos.	Artikel-Nr.	Bezeichnung
1	AA101	Power supply cable 2m GB
2	AA102	Power supply cable 2m USA
3	AA109	Power supply cable 2m CH
4	AA110	Power supply cable 2m EU
5	AA126	Power supply cable 2m AUS



SIUS worldwide

There are SIUS representatives all around the globe.

Find your local SIUS sales partner here:

www.sius.com/en/representatives

