



## HS25/50 HYBRIDSCORE®

**ISSF approval phase 1, 2 and 3**

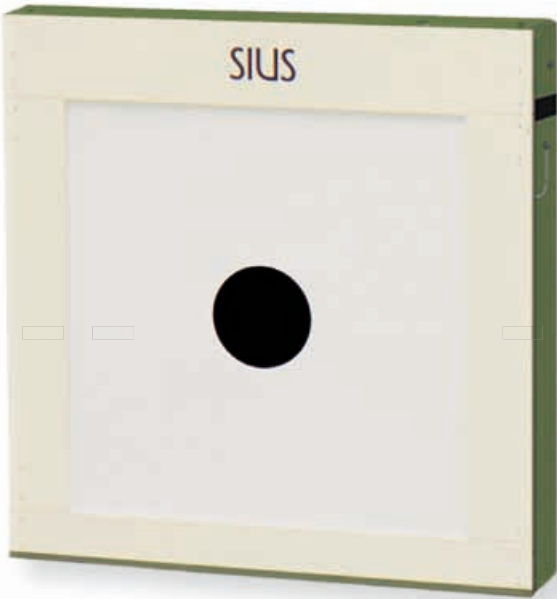
**Basic configuration of the target  
for 25 resp. 50 meters  
rifle and pistol**

**Installation overview  
and components**

### SIUS AG

Im Langhag 1 | CH-8307 Effretikon | Switzerland  
Phone +41 52 354 60 60 | Fax +41 52 354 60 66  
[www.sius.com](http://www.sius.com) | [admin@sius.com](mailto:admin@sius.com)



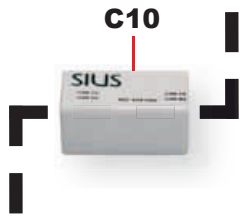


like this...

...or like that

**Standard configuration**  
Target HS25/50 with basic equipment SA941.

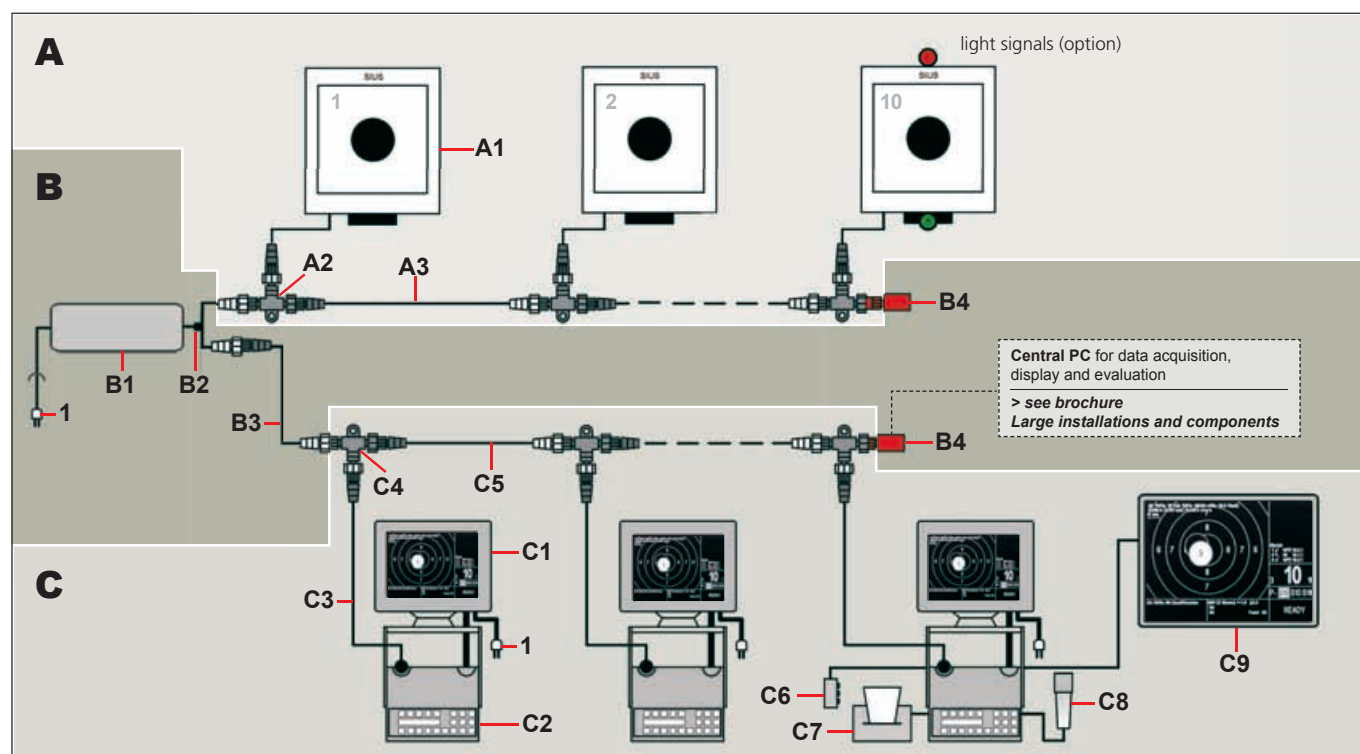
**Option**  
Target HS25/50 with Windows based PC/Laptop (Windows 7 / 8 / 10), USB-LON-Dongle and SIUSLANE software (only for 50m pistol and small bore rifle).  
> see brochure *SIUSLANE*



## Small bore rifle and pistol installation 25m/50m

### Installation overview HS25/50

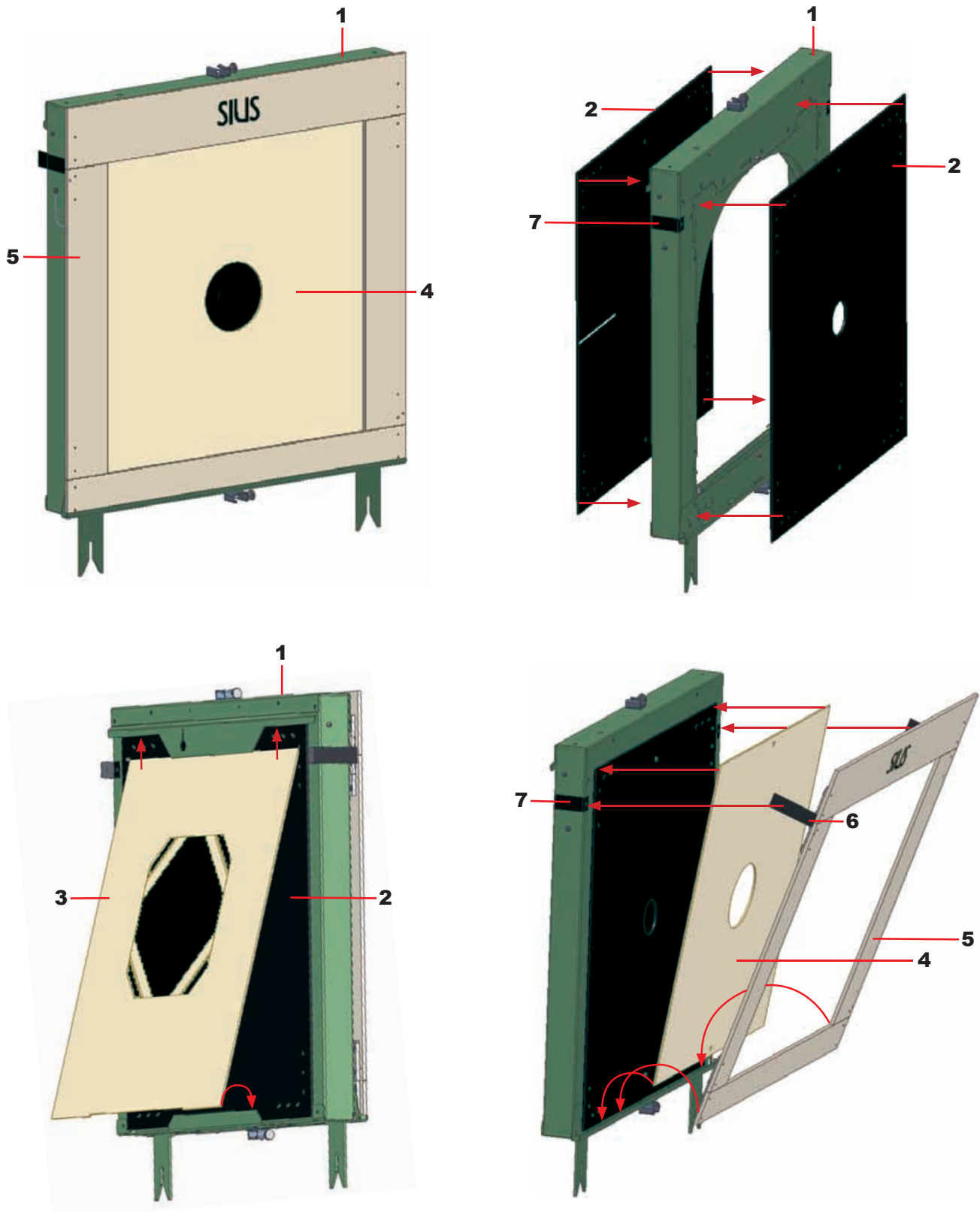
The installation is divided into 3 article groups: article group target line (A), article group for cables and power supply (B) and article group firing line (C). The article group for cables and power supply (B) is designed for 10 lines at the most. The article groups target line (A) and firing line (C) are needed 1x per line. In addition, power supply cables are required (connection cable: device to country specific plug) (Pos. 1). **For all 25m disciplines the installation is additionally equipped with a time control unit TCU and light signals** (page 13).

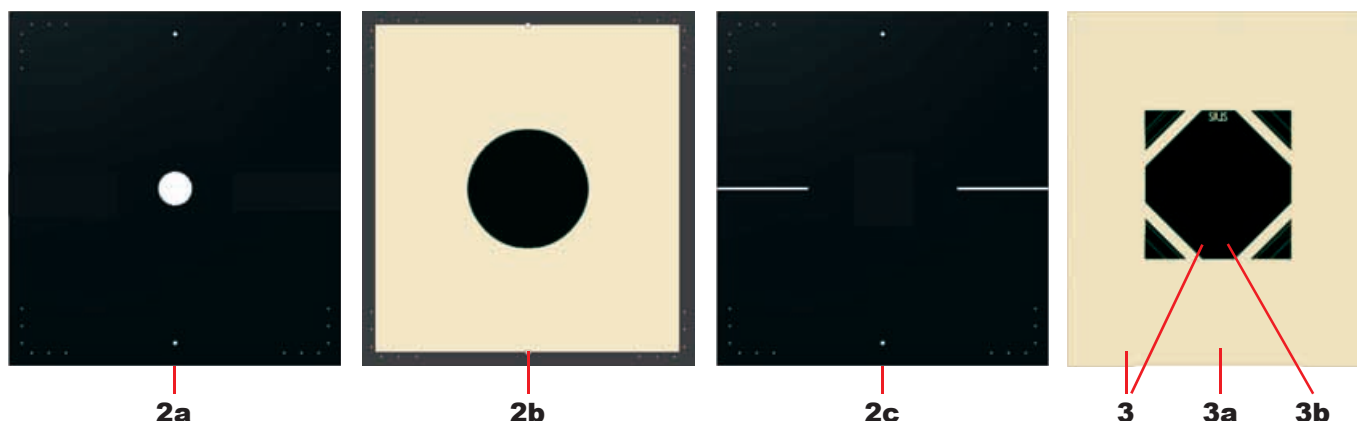


Pos.	Article no.	Pcs.	Description
<b>A Article group target line</b>			
A1	HS25/50	1	Target 25m resp. 50m
A2	KL001-T	1	T-Adapter fem/fem/male LTW IP67
A3	KL001-2.0	1	Cable LTW male-fem 2.0m
<b>B Article group cables and supply</b>			
B1	NT211V0	1	Power supply for 10 lines 225W with LTW 230V
B2	KL013	1	Y power cable for NT211
B3	KL001-40.0	1	Cable LTW male-fem 40.0m (for 25m)
B3	KL001-65.0	1	Cable LTW male-fem 65.0m (for 50m)
B4	KL001-R	2	Terminating resistor, red, male LTW IP67
<b>C Article group firing line</b>			
C1	M941	1	Monitor TFT 10.4" (26cm)
C2	CU941-CLUB	1	Control unit, for clubs, schools etc. (ISSF approval phase 1 and 2)
C2	CU941-ISSF	1	Control unit, with software for ISSF competitions (ISSF- approval phase 1, 2 and 3)
C3	KL003-2.0	1	Cable LTW male-RJ45 2.0m
C4	KL001-T	1	T-Adapter fem/fem/male LTW IP67
C5	KL001-2.0	1	Cable LTW male-fem 2.0m
C6	RC941	1	Remote control RC941
C7	D112-N	1	Thermal printer incl. power supply (option)
C8	AAG133	1	Barcode scanner (option)
C9			Monitor for spectators (on request)
C10	SNI210-LANE	1	USB-LON-Dongle (yellow), option with PC/Laptop > see page 3
	SIL	1	Evaluation and display program SIUSLANE
1	Reference		Country-specific power supply cable > page 15

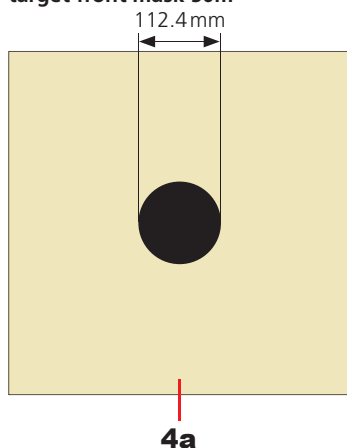
### Target for small bore rifle and pistol, HS25/50

The target HS25/50 is designed for use with all subsonic **lead** ammunition (further on request) for **small bore rifles and pistols** (according to the ISSF rules) at distances of either 25m or 50m. The same targets are used for both distances. For the pistol disciplines of 25m, the target boards are equipped with red/green light signals. The installation also includes the time control unit set (see page 11).

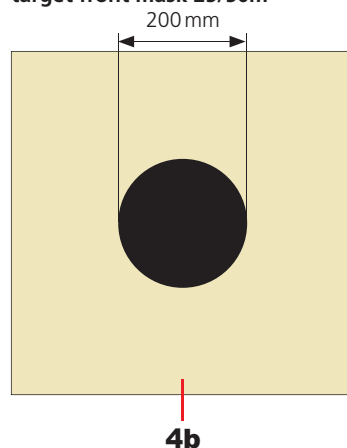




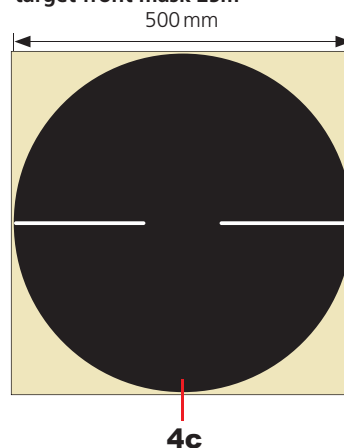
ISSF small bore rifle  
target front mask 50m



ISSF precision pistol  
target front mask 25/50m



ISSF rapid fire pistol  
target front mask 25m



Pos.	Article no.	Description
<b>Target HS25/50</b>		
1	HS25/50V0	Complete target incl. reinforced front frame for calibers 22, 32, 38 (except steel shell projectiles), incl. cable LTW male–RJ45 2.0m. Size (WxHxD): 630x775x125mm, weight: 12.6 kg (without accessory), Consumption: 7.6W, detection surface: 510x510mm, optical measurement range Ø 200mm.
<b>Optional accessory and spare parts</b>		
2a	HS25/50A070	Rubber membrane black, for 50m, with hole
2b	HS25/50A069	Rubber membrane, preprinted with front mask for precision pistol, calibers 22, 32, 38 (mounting without PP-multi-wall 4)
2c	HS25/50A071	Rubber membrane black, for 25m rapid fire pistol, with aiming line, without hole
3	HS25/50AN003	Backing target complete incl. holder and target > manual shot control
3a	HS25/50A055	Holder for backing target (option) > manual shot control
3b	AZF046	Backing target for replacement (option) > manual shot control
4a	S50A030	ISSF small bore rifle target front mask, top skin (installed), caliber 22
4b	S50A031	ISSF precision pistol target front mask, top skin (optional), caliber 22 (good shooters, only few hits in the white area, can also use caliber 32 resp. 38)
4c	S50A033	ISSF rapid fire pistol target front mask, polyethylene plate (optional), calibers 22, 32, 38
5	HS25/50D005	Reinforced front frame (aluminum) for calibers 22, 32, 38 (according to the ISSF rules, except steel shell projectiles) Color: RAL1015 light ivory
6	S25/50A012	Fixed velour fleece strip (to fix reinforced front frame)
7	AMA267-100	Fixed velour bubble type strip (to fix target)

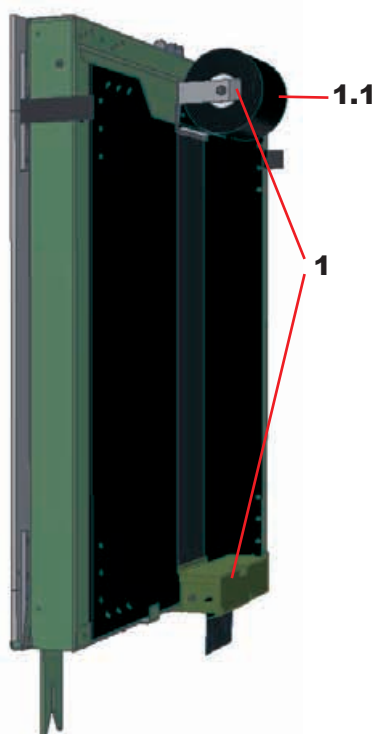
### Black target centre (bull's eye)

There are several possibilities to ensure that even a heavily shot-up target centre remains visible as black for the shooter. In best case construction measures (roofing of the targets) should prevent incidence of light behind the targets (see example in installation manual for HS25/50 > B-INWA-HS25/50).

The accessories below should be used if the required construction measures can't be implemented sufficiently.

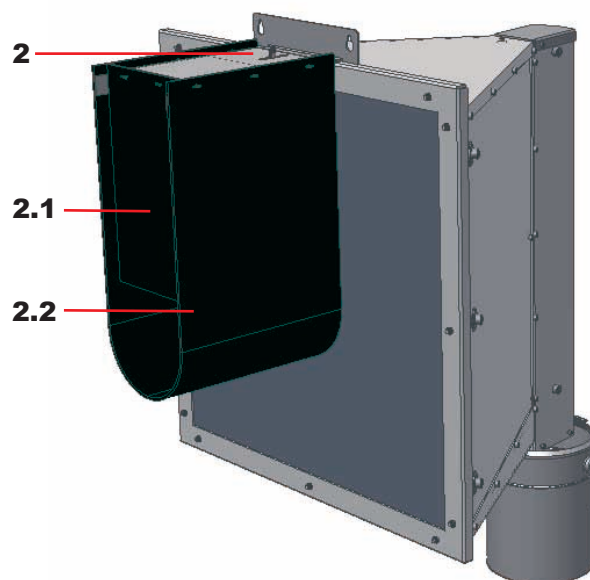
#### Center band mechanism

The center band mechanism is mounted on the back of the target. It moves the band forward after each shot which hits the centre.



#### Center shade provider on bullet trap/wall

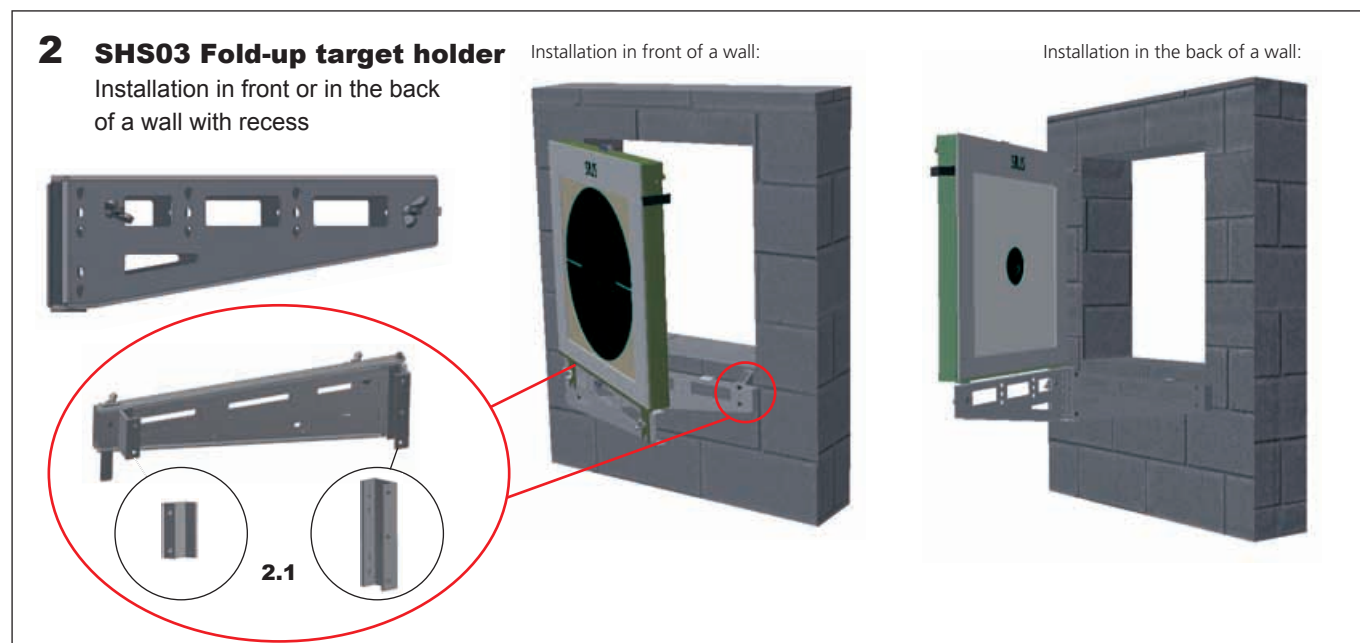
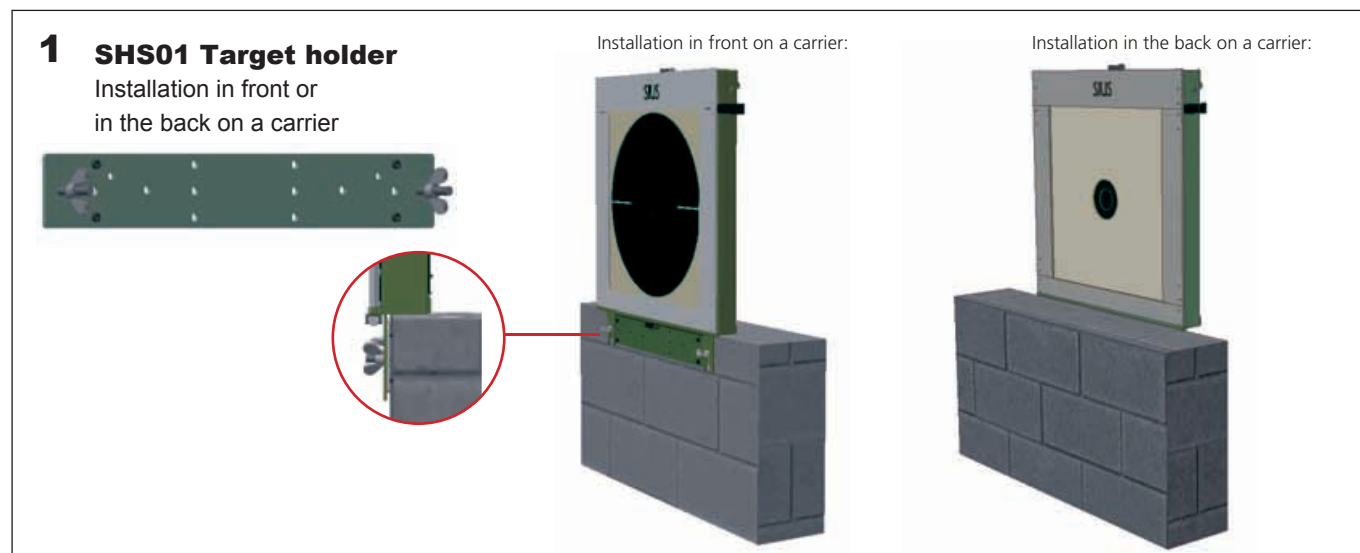
If using a bullet trap it is possible to mount a center shade provider on it. It prevents incidence of light in the centre. If there is no bullet trap, it is also possible to mount it directly to a wall.



Pos.	Article no.	Description
<b>Center band mechanism</b>		
1	HS25/50AN005	Center band mechanism
<b>Optional accessory and spare parts</b>		
1.1	S10D008	Plastic tape roll for center band mechanism
<b>Center shade provider on bullet trap/wall</b>		
2	HS25/50AN006	Center shade provider on bullet trap/wall
<b>Optional accessory and spare parts</b>		
2.1	HS25/50A087	Rubber plate in front for center shade provider HS25/50
2.2	HS25/50A086	Rubber plate at the side for center shade provider HS25/50

### Multi target holder for mounting on a carrier 25m/50m

The target holder SHS01 enables the installation of a HS25/50 target in front or in the back on a carrier (wall, wooden beam etc.). The target holder SHS03 enables the installation of the target in front or in the back of a wall with recess. If the target is mounted in front of the wall the spacers SHS03AN001 are needed additionally.

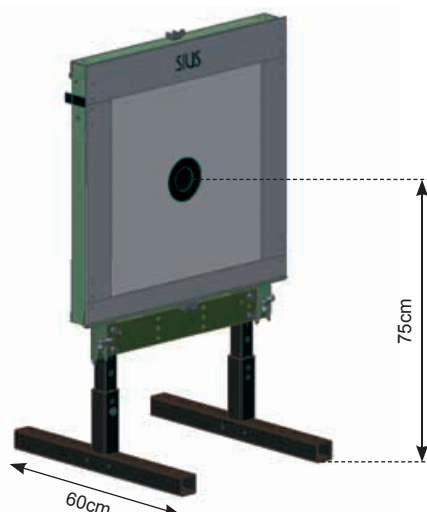


Pos.	Article no.	Description
<b>Target holder for HS25/50</b>		
1	SHS01V0	The target holder SHS01V0 is used for the installation on a wall, steel or wooden beam. The installation can be done in front or in the back on the carrier (if mounted in the back, it is not possible to place light signals).
	SHS01V1	The target holder SHS01V1 is identical with the version SHS01V0, but contains longer threaded bolts. Thus, the reinforced front frame HS25/50AN002 for large calibre ammunition can be mounted (see page 10).
2	SHS03	The target holder SHS03 is used for an installation on a wall with recess. The fold-up holder enables best access to the target (maintenance). Short and long threaded bolts are included. Thus enables the mounting of the reinforced front frame HS25/50AN002 for large calibre ammunition as well (see page 14).
2.1	SHS03AN001	Spacers for SHS03, set with 2 pcs. The spacers are mounted on the left and the right side at the back of the target holder.

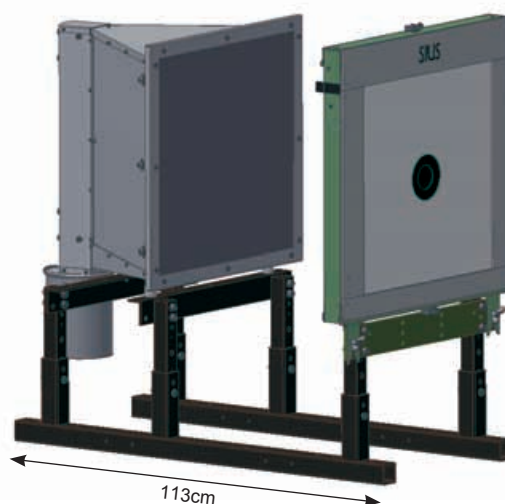
### Target holders for 50m

The target holders SHS07 (without holder for bullet trap) and SHS09 (with holder for bullet trap) enables the mounting of a single HS25/50 target. The height corresponds to 50m ISSF (75cm). Both holders can be equipped with feeds, wheel casters and floor fixings according to the individual needs. A special bullet trap has been developed for small bore weapons.

#### 1 SHS07 Target holder (for use without bullet trap)



#### 2 SHS09 Target holder (for use with bullet trap)



#### KFS50 Bullet trap for small bore



Article no.	Description
KFS50	Bullet trap for target HS25/50 (see also page 13)



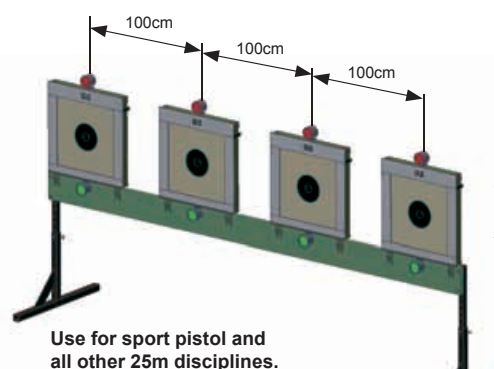
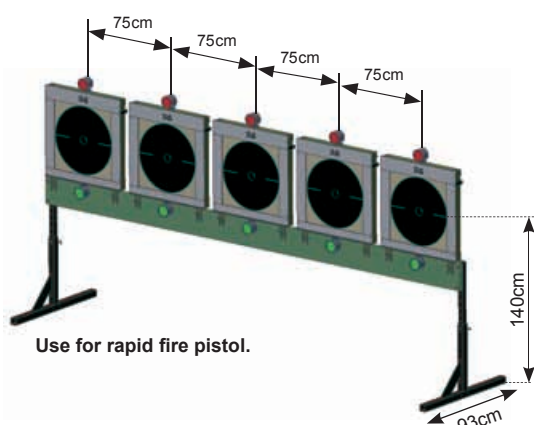
Pos.	Article no.	Description
<b>Target holder for target HS25/50</b>		
1	SHS07	Target holder, for use without bullet trap, excl. feet, wheel casters and floor fixings.
2	SHS09	Target holder, for use with bullet trap, excl. feet, wheel casters and floor fixings.
<b>Optional accessory and spare parts</b>		
A	SHS04AN001	Tilt foot for target holder, set with 4 pieces
B	SHS07AN001	Wheel caster for target holder, Ø 80mm, set with 4 pieces
C	SHS04AN005	Floor fixing temporarily for target holder, set with 2 pieces
D	SHS04AN006	Floor fixing permanently for target holder, set with 2 pieces



### Multi target holder short for 25m ISSF disciplines

The target holders SHS04V0 (without holder for bullet trap) and SHS06V0 (with holder for bullet trap) enables the mounting of HS25/50 targets. The holders can be equipped with feet, wheel casters and floor fixings according to the individual needs. The targets can be adjusted along the board. These target holders has been specially developed for rapid fire in which 5 targets are mounted and the distance from target center to target center must be 75cm. Except for rapid fire, one target must be removed for all 25m disciplines for which the ISSF regulations stipulate a distance of 100cm. To allow the simplest conversion between the various disciplines and the constant use of 5 targets, we particularly recommend the use of the multi target holder SHS04V1 resp. SHS06V1 (see page 10).

#### 1 SHS04V0 Multi target holder (setup width 380cm, for use without bullet trap)



Only 4 lanes can be used with the short holder SHS04V0.



**A** SHS04AN001  
Tilt foot



**B1** SHS04AN002 Wheel caster  
Ø 200mm, incl. 2 cross struts

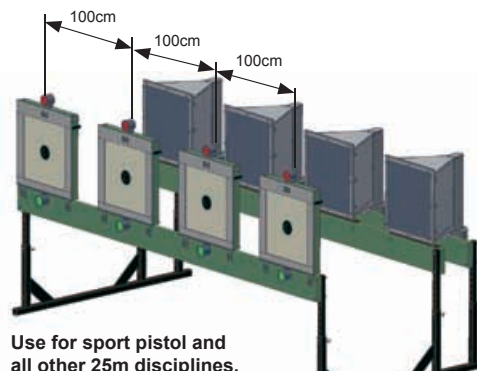
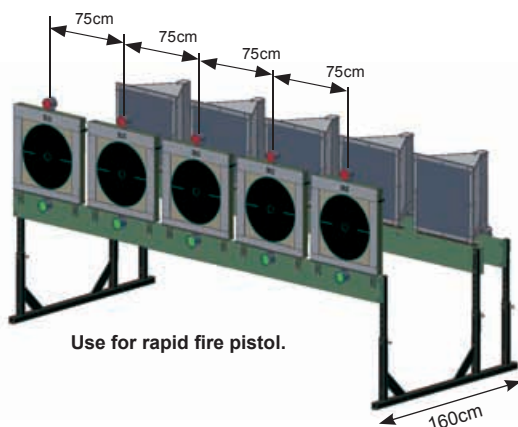


**C** SHS04AN005  
Floor fixing temporarily



**D** SHS04AN006  
Floor fixing permanently

#### 2 SHS06V0 Multi target holder (setup width 380cm, for use with bullet trap)



Only 4 lanes can be used with the short holder SHS06V0.



**A** SHS04AN001  
Tilt foot



**B2** SHS06AN001 Wheel caster  
Ø 200mm, incl. 4 cross struts



**C** SHS04AN005  
Floor fixing temporarily



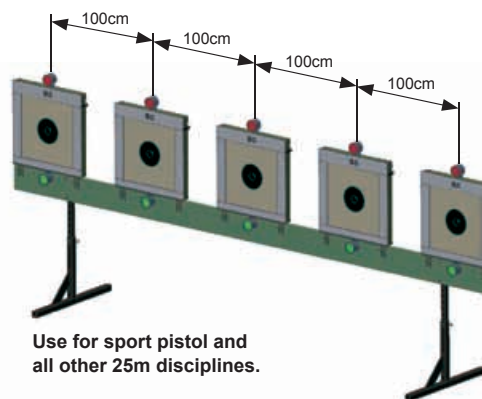
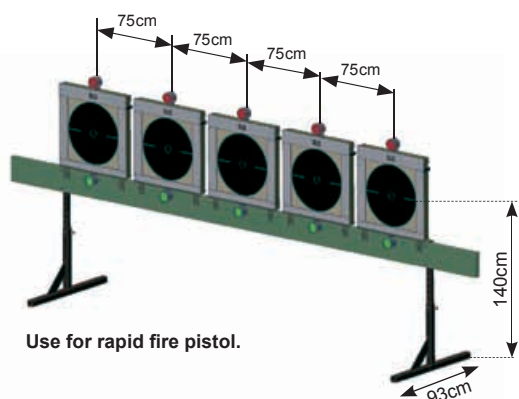
**D** SHS04AN006  
Floor fixing permanently

Pos.	Article no.	Description
<b>Multi target holder for HS25/50</b>		
1	SHS04V0	Multi target holder, setup width 380 cm, for use without bullet trap, excl. feet, wheel casters and floor fixings. For rapid fire pistol, sport pistol and CISM.
2	SHS06V0	Multi target holder, setup width 380 cm, for use with bullet trap, excl. feet, wheel casters and floor fixings. For rapid fire pistol, sport pistol and CISM.

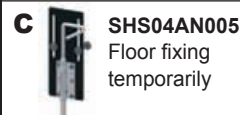
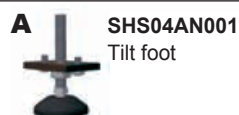
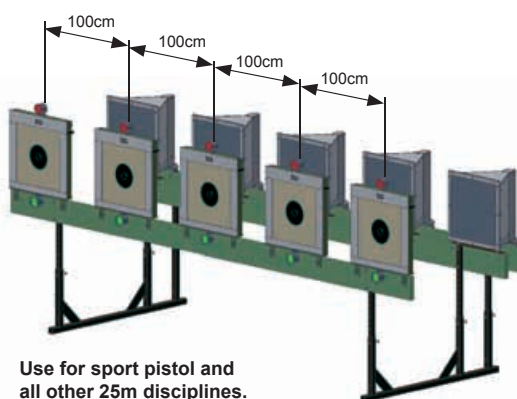
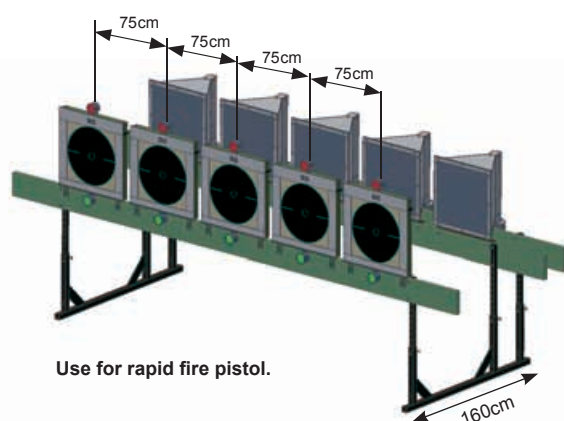
### Multi target holder long for 25m ISSF disciplines

The target holders SHS04V1 (without holder for bullet trap) resp. SHS06V1 (with holder for bullet trap) are suitable for rapid fire pistol as well as for all other 25m pistol disciplines. In contrast to the multi target holder SHS04V0 resp. SHS06V0, five targets can be mounted on this holder for every regulated discipline. For this reason we recommend using the multi target holder SHS04V1 wherever possible.

#### 1 SHS04V1 Multi target holder (setup width 468cm, for use without bullet trap)



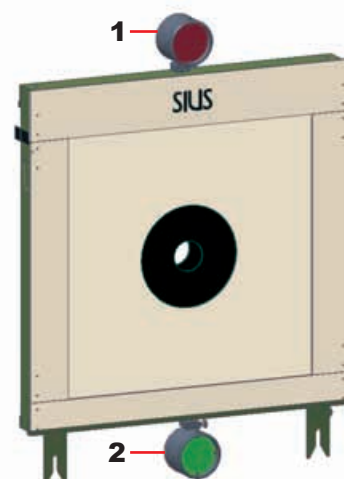
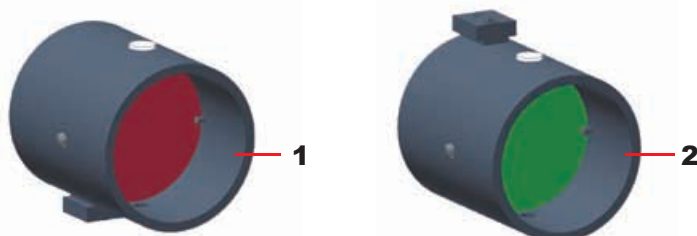
#### 2 SHS06V1 Multi target holder (setup width 468cm, for use with bullet trap)



Pos.	Article no.	Description
<b>Multi target holder for HS25/50</b>		
1	SHS04V1	Multi target holder, setup width 465 cm, for use without bullet trap, excl. feet, wheel casters and floor fixings. For rapid fire pistol, sport pistol and CISM.
2	SHS06V1	Multi target holder, setup width 465 cm, for use without bullet trap, excl. feet, wheel casters and floor fixings. For rapid fire pistol, sport pistol and CISM.
<b>Optional accessory and spare parts</b>		
A	SHS04AN001	Tilt foot for multi target holder, set with 4 pieces
B1	SHS04AN002	Wheel caster for multi target holder, Ø 200mm, set with 4 pieces, incl. 2 cross struts
B2	SHS06AN001	Wheel caster for multi target holder, Ø 200mm, set with 4 pieces, incl. 4 cross struts
C	SHS04AN005	Floor fixing temporarily, for target holder, set with 2 pieces
D	SHS04AN006	Floor fixing permanently, for target holder, set with 2 pieces

### Light signals for HS25/50

The targets HS25/50 are equipped for the installation of red/green light signals, as used for 25m disciplines. All cables are installed, the signals can be inserted into the top and bottom brackets and the cables plugged in. The time control unit TCU25 is required for controlling the light signals.



Pos.	Article no.	Description
<b>Light signals for HS25/50</b>		
1	RFP25D004	Light signal RED (top) Size (WxHxD): 90x102x100mm
2	RFP25D005	Light signal GREEN (bottom) Size (WxHxD): 90x102x100mm

### Time control unit TCU25

The time control unit TCU25 controls the red/green light signal installation of the targets for 25m disciplines. The brightness of the red and green lights can be adjusted separately at the time control unit. All the international 25m pistol disciplines in accordance with ISSF and CISM are programmed in the time control unit. The device contains two independent channels. Each channel can control from 5 to a maximum of 20 targets. In addition, a country specific cable (Pos. 2) for the power supply is required.

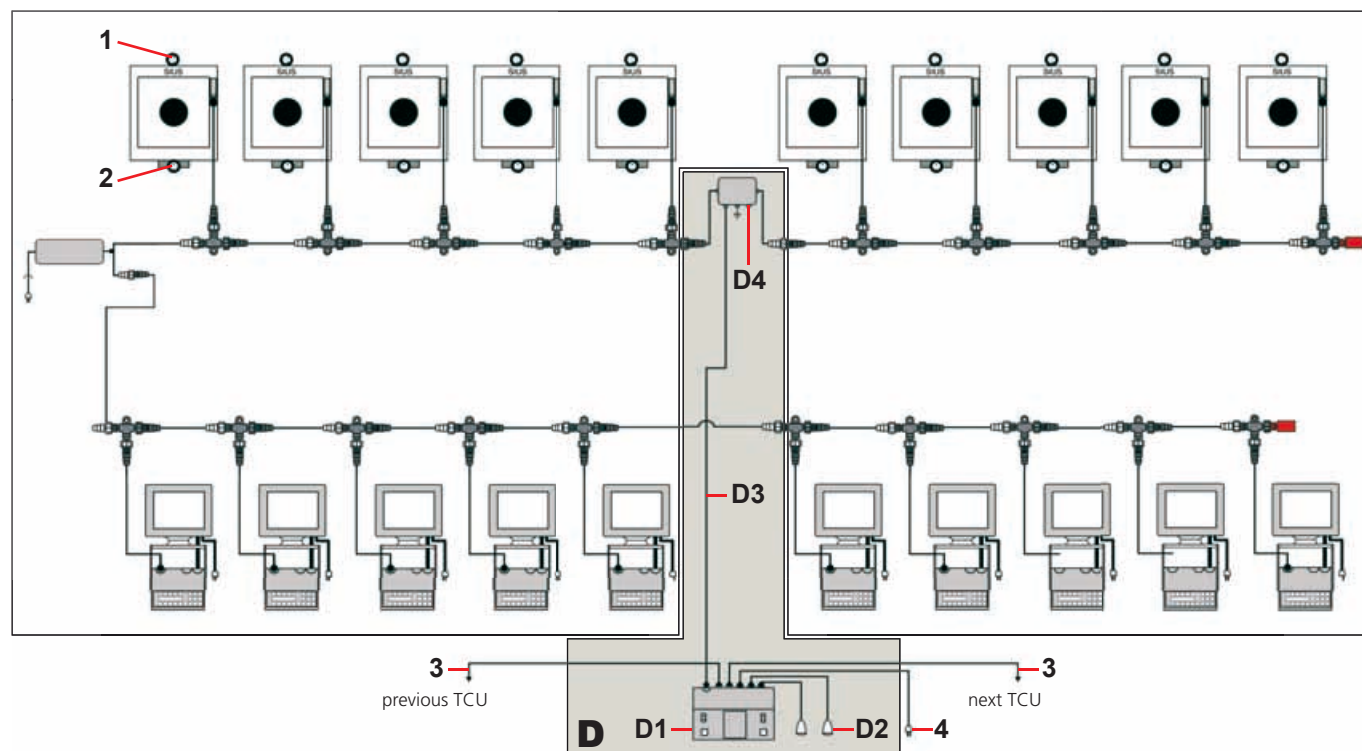


PROGRAMS	RED	GREEN
<b>Menu 1 (1 Flash)</b>		
0 = «Select Menu 2»; Press «START»		
1 = Standard	7"	150"
2 = Standard	7"	20"
3 = Standard/CISM	7"	10"
4 = RFP/CISM	7"	8"
5 = RFP/CISM	7"	6"
6 = RFP	7"	4"
7 = Precision Pistol	7"	300"
8 = Rapid Fire 5x	7"	3"
9 = Malfunction	7"	240"
A = Malfunction	7"	180"
B = Malfunction	7"	120"
C = Malfunction	7"	60"
D = 1 Shot	3"	1.2"
<b>Menu 2 (2 Flashes)</b>		
0 = «Select Menu 1»; Press «START»		
1 = Standard	7"	150"
2 = Standard	7"	20"
3 = Standard	7"	10"
4 = Special	7"	30"
5 = Special	7"	40"
6 = Special	7"	50"
7 = Special	7"	60"
8 = Special	7"	90"
9 = Precision Pistol	7"	360"
A = Rapid Fire 5x	7"	3"
B = 5-Shot Air Pistol	0"	10"
C = RFP II	3"	8"
D = RFP II	3"	6"
E = RFP II	3"	4"
F = Sighting Malfunction	7"	120"

Pos.	Article no.	Description
<b>Time control unit TCU25 for HS25/50</b>		
1	TCU25	Time control unit 25m installation (incl. 2 external start buttons) Size (WxHxD): 300x160x300mm, weight: 3.8kg Consumption: 150W <sub>max</sub>
	Reference	Country specific power supply cable > page 15

### Additional light signals – installation overview

For the 25m pistol disciplines, the targets are equipped with red/green light signals. The time control unit TCU25 with corresponding components are used for controlling these light signals. Several time control units (TCU25) can be connected and synchronized with a cable (Pos.3). The desired length of this cable must be specified when ordering.

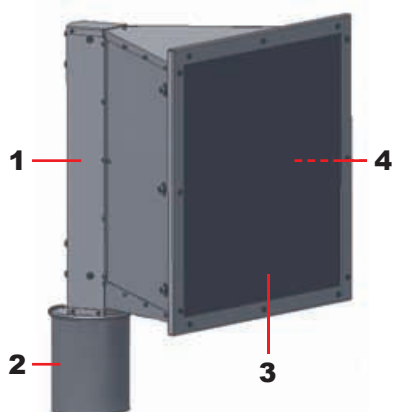


Pos.	Article no.	Pcs.	Description
<b>D</b>	<b>Article group time control 25m LTW</b>		
D1	TCU25	1	Time control unit 25m installation
D2	TCU25A501	2	Cable with external start button
D3	KT014-40	1	Connection cable TCU–Distribution box 40m
D4	VK-LTW2	1	Distribution box 2 LTW / light signal
1	RFP25D004	1	Light signal RED (top)
2	RFP25D005	1	Light signal GREEN (bottom)
3	KP016-20	1	Bus connecting cable TCU-TCU
4	Reference		Country specific power supply cable > page 15



### Bullet trap for small bore projectiles

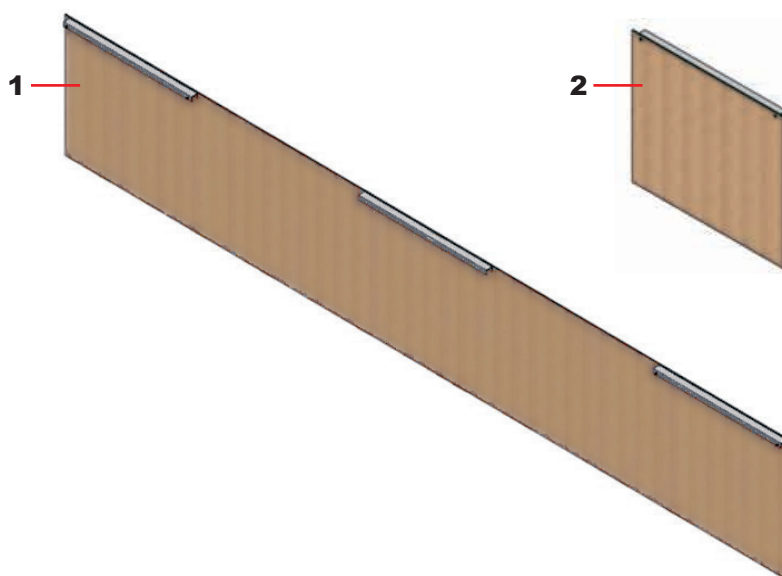
A special bullet trap has been developed for small bore weapons. This allows bullets to be caught in a simple manner.



Pos.	Article no.	Description
<b>Bullet trap for target HS25/50</b>		
1	KFS50	Bullet trap for target HS25/50
<b>Optional accessory and spare parts</b>		
2	AMA173	Galvanized bullet bucket $\varnothing 160 / 148 \times 195 \text{ mm}$
3	KFS50A009	Sound absorber plate $586 \times 566 \times 8 \text{ mm}$
4	KFS50D001	Preinstalled deflector

### Phantom targets for ISSF competitions

Plywood panels (phantom targets) with aluminum u-profiles are mounted in front of the bullet traps. The backing targets of the ISSF can be fixed on them. They are used to detect any cross shots.

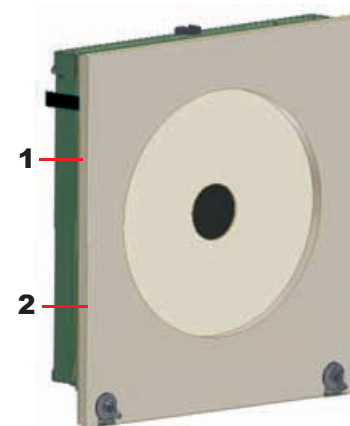


Pos.	Article no.	Description
<b>Phantom targets for ISSF competitions</b>		
1	PTM25	Phantom target 25m, $3700 \times 605 \times 5 \text{ mm}$ , plywood panel incl. aluminum u-profile and mounting screws
2	PTM50	Phantom target 50m, $700 \times 605 \times 5 \text{ mm}$ , plywood panel incl. aluminum u-profile and mounting screws

### Reinforced front frame for large calibre ammunition without light signals for HS25/50

A reinforced front frame is necessary for the protection of the HS25/50 when using subsonic steel and big bore projectiles up to a maximum of 1500 Joules,  $V_0 < 380\text{m/sec}$ , (further ammunition on request). The reinforced front frame is composed of a steel frame for main protection and a supplementary plywood panel that serves as protection from ricochets. The detection area is round.

The reinforced front frame is used instead of the aluminum frame.



Pos.	Article no.	Description
<b>Reinforced front frame for large calibre ammunition without light signals for HS25/50</b>		
1	HS25/50AN002	Reinforced front frame for large caliber ammunition without light signals for HS25/50 (reinforced front frame large calibre, polyethylene plate with front mask, plywood panel, spacer disc/washer)
<b>Spare parts</b>		
2	HS25/50D015	Ply wood front frame panel for HS25/50, 19mm thick



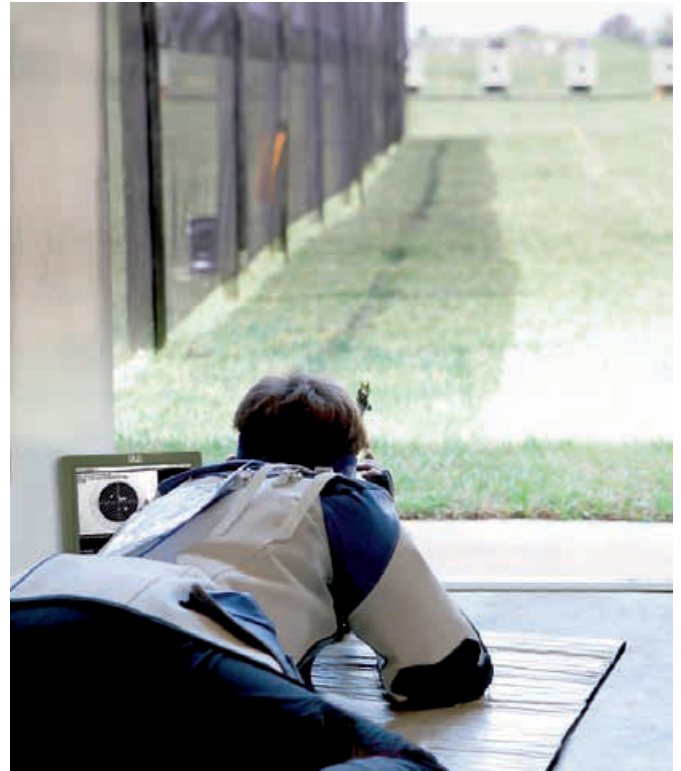


### Country specific power supply cables

The connection between device and socket is achieved with the use of country specific power supply cables. This is provided with the device coupling on one side and with a country specific plug on the other side.



Pos.	Article no.	Description
1	AA101	Power supply cable 2m GB
2	AA102	Power supply cable 2m USA
3	AA109	Power supply cable 2m CH
4	AA110	Power supply cable 2m EU
5	AA126	Power supply cable 2m AUS



## SIUS worldwide

There are SIUS representatives all around the globe.

Find your local SIUS sales partner here:

**[www.sius.com/en/representatives](http://www.sius.com/en/representatives)**

